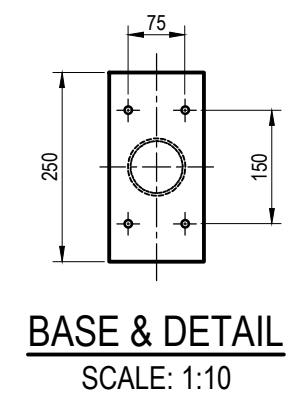
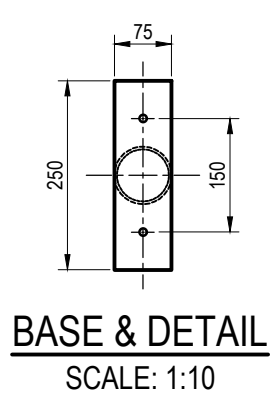
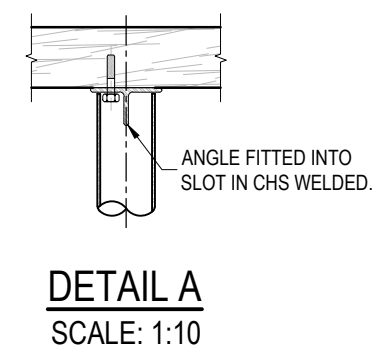


SECTION A-A
SCALE: 1:10

TYPICAL SECTION
SCALE: 1:10

INDICATIVE PLAN
SCALE: 1:20



NOTES

- ENSURE THAT WORK IS IN ACCORDANCE WITH BRISBANE CITY COUNCIL ENVIRONMENTAL BEST PRACTICE NOTES.
- SITE SETOUT TO BE VERIFIED BY SUPERINTENDENT OR LANDSCAPE ARCHITECT PRIOR TO THE COMMENCEMENT OF CONSTRUCTION WORKS.
- VERIFY LOCATION OF ALL SERVICES AND EASEMENTS PRIOR TO THE COMMENCEMENT OF WORKS.
- WRITTEN DIMENSIONS TAKE PRECEDENCE OVER SCALED DISTANCES.
- VERIFY ALL DIMENSIONS ON SITE PRIOR TO CONSTRUCTION.
- STRUCTURES HAVE BEEN DESIGNED FOR STANDARD SOIL AND TERRAIN CATEGORY CONDITIONS. TERRAIN CATEGORY = 2.5 AND MINIMUM ALLOWABLE BEARING CAPACITY = 100KPA.
- IN EACH CASE ENGINEERING CERTIFICATION AND MODIFICATION AS NECESSARY WILL BE REQUIRED FOR PARTICULAR SOIL AND SITE CONDITIONS.
- THE COPYRIGHT OF THIS DRAWING REMAINS THE PROPERTY OF THE BRISBANE CITY COUNCIL.

ISSUE	AMENDMENT	DRAWN DATE	CHK'D DATE	APPR'D DATE
B	Redundant Note Removed From Drawing (Note 9)	DEC '18	APR '19	APR '19
A	ORIGINAL ISSUE	DEC '14	DEC '14	DEC '14

DRAWING AUTHORISED FOR PUBLICATION

Inga Condric
2019.06.04 14:44:33+10'00'
for ASSET ENGINEERING MANAGER
STRATEGIC ASSET MANAGEMENT

DESIGN APPROVED

C. Wood
SENIOR CO-ORDINATOR NATURAL ENVIRONMENT
ASSET SERVICES/BRISBANE INFRASTRUCTURE

DESIGN	DATE
CP0 - P&D	DEC '14
DRAWN	DATE
CP0 - P&D	DEC '14
CHECKED	DATE
BI - FSG - AS	DEC '14
DRAWING FILENAME	BSD-10117 (A) Bench seat with backrest - Natural area.dwg
ASSOCIATED PLANS	



BRISBANE CITY COUNCIL STANDARD DRAWING

**BENCH SEAT WITH BACKREST
NATURAL AREA**

SCALE: AS SHOWN

DWG No. **BSD-10117**

ORIGINAL SIZE: **A3** REVISION: **B**